



**MAZAKA**  
HEAVY INDUSTRY

## MW SERIES

**MW600**

**GROUND SCREW  
MACHINE**

**GUARDRAIL  
PILE DRIVER MACHINE**





### GROUND SCREW MACHINE

#### ENGINE

Make	YANMAR
Model	4TNV88C
Cylinders	4
Displacement L	2.190 cc
Gross Power	47.6 hp (35.5 kW)
Rated Speed	3000 rpm
Certifica	Stage 5
Fuel Tank	50 l
DPF Filter	yes

#### HYDROMOTOR

Oil Pressure Range	180 bar
Torque Range	6500 Nm
Oil Flow Range	65 l
Speed Range	20-65 rpm

#### HYDRAULIC SYSTEM

Oil Flow Rate	50-100 l
Oil Pressure	180 bar
Oil Tank	80 l

#### MACHINE TRAVEL SPEED

Low Speed	3 km/h
High Speed	-----
Gradeability	20°
Side Walk	10°

#### DIMENSION

Transport Widht	(A1)	1312 mm
Transport Height	(A2)	2460 mm
Transport Lenght	(A3)	2600 mm
Widht of Machine	(A1)	1770 mm
Height of Machine	(A4)	3580 mm
Lenght of Machine	(A5)	2400 mm
Weight		2550 kg
Mast Height	(A6)	2900 mm
Angle of mast forward		10°
Angle of mast backward		-63°

### GUARDRAIL PILE DRIVER MACHINE

#### ENGINE

Make	YANMAR
Model	4TNV88C
Cylinders	4
Displacement L	2.190 cc
Gross Power	47.6 hp (35.5 kW)
Rated Speed	3000 rpm
Certifica	Stage 5
Fuel Tank	40 l
DPF Filter	yes

#### HAMMER

Operating Pressure	120 bar
Power	900 joule
Oil Flow	65 l

#### HYDRAULIC SYSTEM

Oil Flow Rate	50-100 l
Oil Pressure	180 bar
Oil Tank	100 l

#### MACHINE TRAVEL SPEED

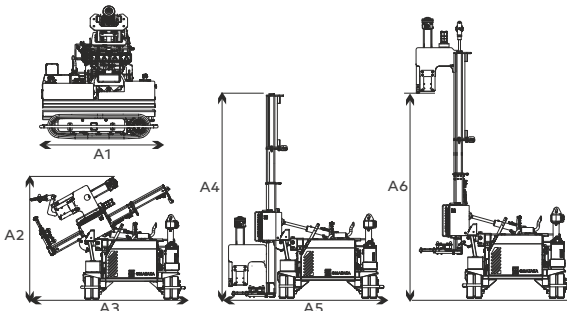
Low Speed	3 km/h
High Speed	-----
Gradeability	20°
Side Walk	10°

#### DIMENSION

Transport Widht	(A1)	1670 mm
Transport Height	(A2)	2250 mm
Transport Lenght	(A3)	2850 mm
Widht of Machine	(A1)	1770 mm
Height of Machine	(A4)	3580 mm
Lenght of Machine	(A5)	2400 mm
Weight		2950 kg
Mast Height	(A6)	2900 mm
Angle of mast forward		10°
Angle of mast backward		-63°

### OPTIONAL EQUIPMENT

DTH - Auger - Post Extractor - GPS/GNSS - Remote Control - Hammer Height Control  
Hydromotor System For Ground Screw - Auto Leveling - Laser Meter - Stabilizer Cylinder



#### Mazaka Factory

📍 Karpuzsekisi Mah. 2. Cadde  
No: 42 Hacilar-Kayseri/TÜRKİYE  
☎ +90 352 311 44 18  
✉ info@mazaka.eu

#### USA Office

📍 25 Old Kings Hwy N.Ste13  
Darien, CT 06820  
☎ +1 203 904 8074  
✉ america@mazaka.eu

#### Europe Office

📍 Industriestrasse 12-16, 42929  
Wermelskirchen Germany  
☎ +49 2196 / 729 00 271  
✉ europe@mazaka.eu

#### Middle East Office

📍 Ttay Area, Al Khawaneej 2,  
Behind Emirates Road Dubai UAE  
☎ +90 533 204 41 70  
✉ dubai@mazaka.eu